


# PRODUCT SHEET

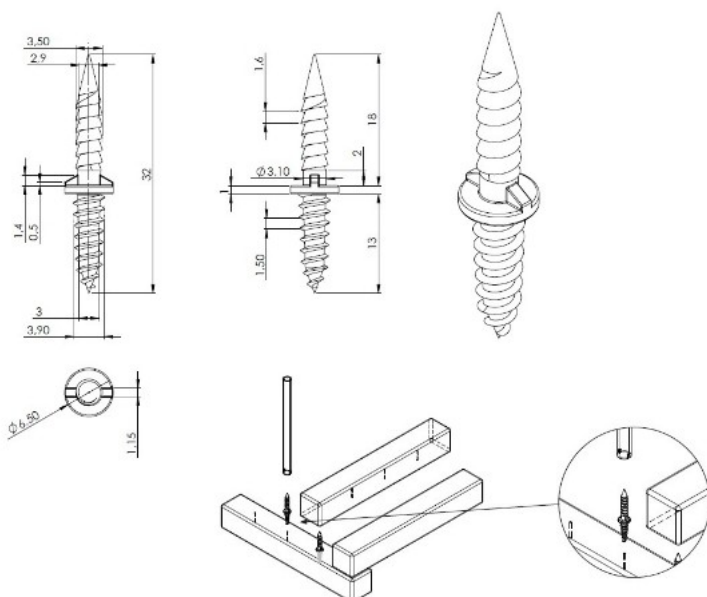
## Description:

Double Pointed Steel Nail,  $\varnothing 4.0 \times 13 \times 18\text{mm}$ , YZP (Yzp = Yellow Zincplated)

## Item number:

12.20.050-0

Units	Box	Carton	HS Code	Barcode
Pcs.	1	7000	7318149199	
				5704866031233



## SISO A/S

Mileparken 11  
DK-2740 Skovlunde  
Denmark  
VAT: DK 24786013

Phone +45 45 830 900

[www.siso.dk](http://www.siso.dk)  
[siso@siso.dk](mailto:siso@siso.dk)

Danske Bank  
Nytorv Branch  
Copenhagen  
SWIFT: DABADKKK

Account no.  
4180 3112 112936  
IBAN Account  
DK7230003112112936